

Plastic-Encapsulate Diodes

Schottky barrier Diode

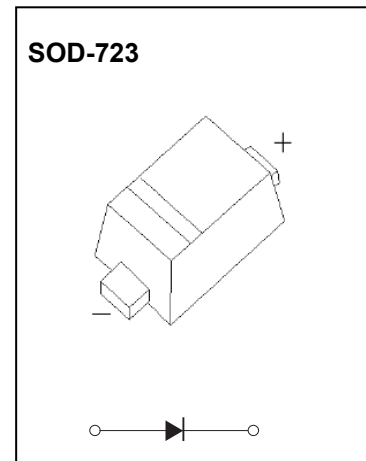
FEATURES

- Small surface mounting type
- High reliability

MARKING: F



F=Device code
The marking bar indicates the cathode



Maximum Ratings and Electrical Characteristics, Single Diode @Ta=25°C

| Parameter | Symbol | Limit | Unit |
|---|-----------------|------------|------|
| DC reverse voltage | V_R | 30 | V |
| Mean rectifying current | I_O | 200 | mA |
| Non-repetitive Peak forward surge current @ t=8.3ms | I_{FSM} | 1 | A |
| Power dissipation | P_D | 100 | mW |
| Thermal Resistance Junction to Ambient | $R_{\theta JA}$ | 1000 | °C/W |
| Operating Junction Temperature Range | T_J | -40 ~ +125 | °C |
| Storage Temperature Range | T_{stg} | -55 ~ +150 | °C |

Electrical Ratings @Ta=25°C

| Parameter | Symbol | Min | Typ | Max | Unit | Conditions |
|-----------------|----------|-----|-----|------|------|-------------|
| Forward voltage | V_{F1} | | | 0.35 | V | $I_F=10mA$ |
| | V_{F2} | | | 0.5 | V | $I_F=200mA$ |
| Reverse current | I_R | | | 10 | μA | $V_R=10V$ |



CHINA BASE
INTERNATIONAL

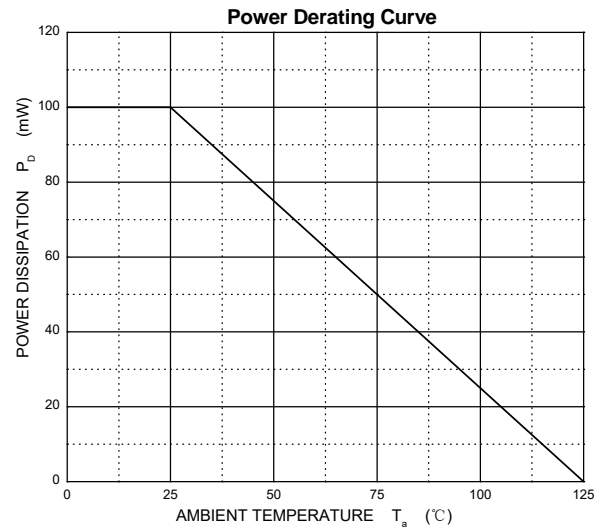
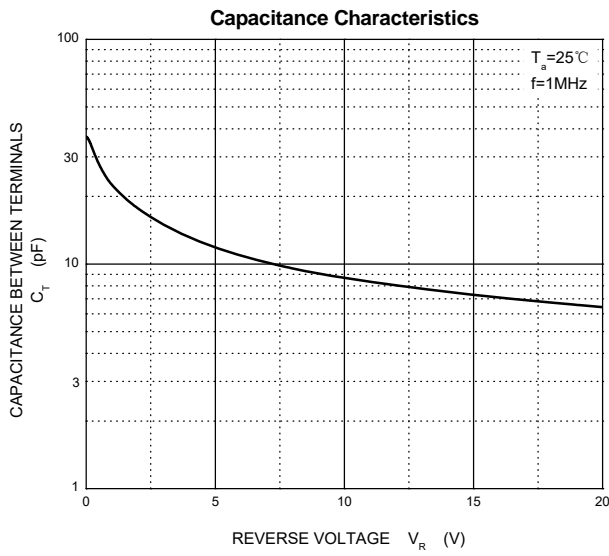
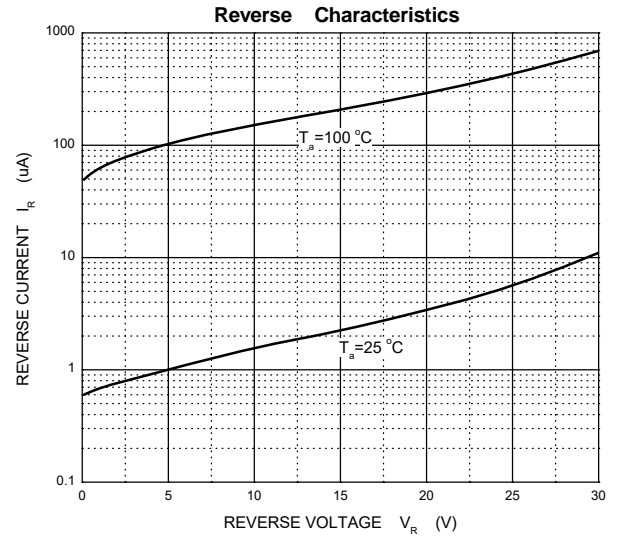
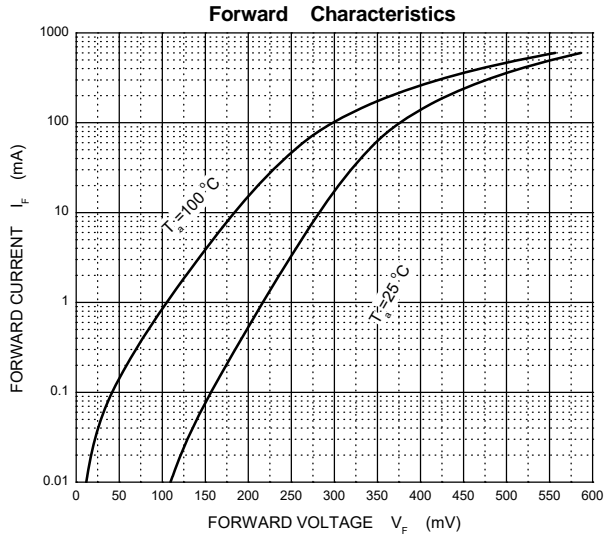
SOD-723

RB521G-30



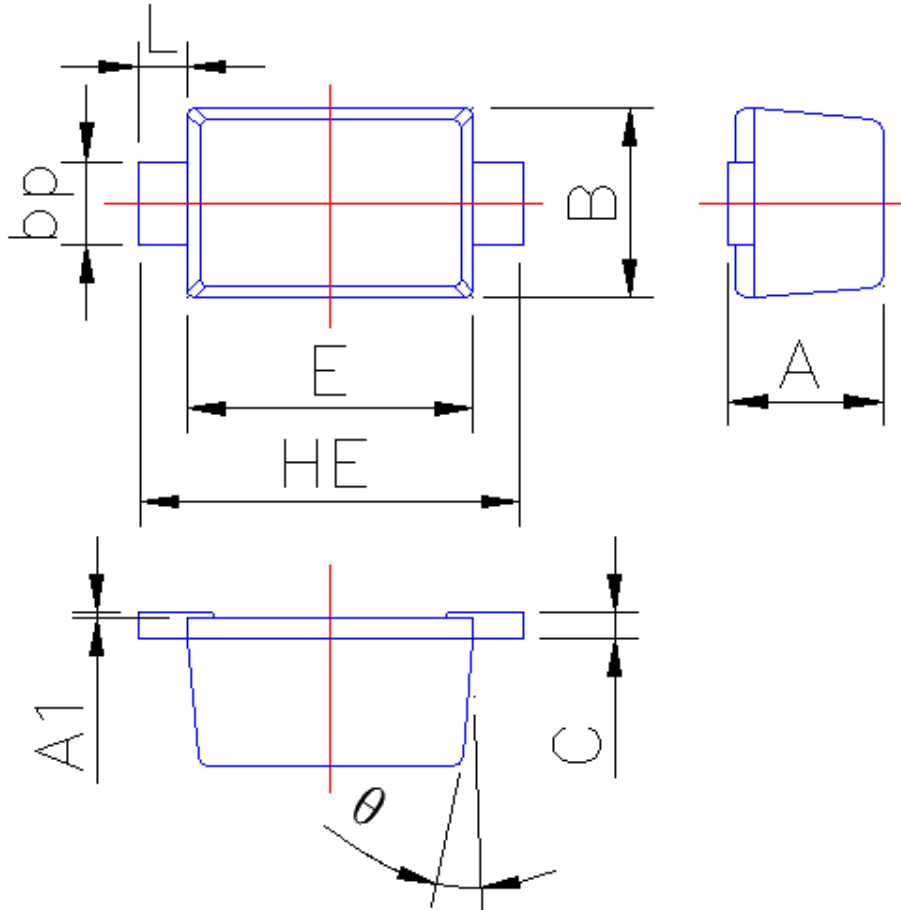
www.china-base.com.hk

Typical Characteristics





SOD-723-Package Outline Dimensions



| Symbol | Dimension in Millimeters | |
|----------|--------------------------|-------|
| | Min | Max |
| A | 0.515 | 0.580 |
| A1 | 0.010 | 0.070 |
| B | 0.550 | 0.650 |
| bp | 0.250 | 0.350 |
| C | 0.08 | 0.150 |
| E | 0.900 | 1.100 |
| HE | 1.30 | 1.50 |
| L | 0.150 | 0.250 |
| θ | 7° | |